

PRODUCT TECHNICAL SPECS

Serie ARSENAL, Non-Certified Gunsafes

Version: 1.0

Date: 03/12/2025

Supplier code: 2661



1. Product Specs

Code	Description	External dimensions H x W x D	Internal dimensions H x W x D	Packaging dimensions H x W x D	N.W (Kg)
10978	ARMERO ARSENAL 3 ARMAS	1255 x 245 x 205 mm	1250 x 240 x 175 mm	1335 x 275 x 255 mm	20
10979	ARMERO ARSENAL 5 ARMAS	1380 x 315 x 205 mm	1190 x 310 x 165 mm	1460 x 355 x 275 mm	31
10980	ARMERO ARSENAL HUELLA 5 ARMAS	1380 x 315 x 205 mm	1190 x 310 x 165 mm	1460 x 355 x 275 mm	31

1.2. Structure and materials

Main body

- Body thickness: 2 mm
- Door thickness: 2 mm
- Material: Steel plate

Locking system

- Type: 10978 and 10979: mechanical lock | 10980: electronical lock with fingerprint recognitio
- Bolts: 10978:2 bolts, Ø16mm | 10979: 2 bolts, Ø18mm | 10980: 3 bolts, Ø20mm

Finishes

- Exterior: Anthracite - Dark Grey (as ROMA Safes)
- Interior: Deep Orange RAL 2003

3 Guns



5 and 10 Guns



Link to drawings (components and assembly): [Plano Arsenal-3_10978.pdf](#), [Plano Arsenal-5_10979.pdf](#), [Plano Arsenal-Electrónico-5_10980.pdf](#)

1.3. Functional features

Electronic system

- Biometric S70 LOCK - Type B
- Display: YES
- Power Supply: 9V Battery (non included)
- Delay function
- Fingerprint storage limit: 13
- Code length: 4 to 8 digits
- Four working modes



Anchoring system. Wall anchring with Iron expansion tube screw



1.4. Interior components

- 10978 with ammo box
- 10979 and 10980 with ammo box and built-in cabinet

2. Mandatory components and accesories

2.1. Security components

Component	Qty	Comments
Emergency keys	2	10978: 2pcs main keys to open/close the door. 10979: 2pcs main keys to open/close the door, 2pcs keys for built-in cabinet. 10980: 2pcs emergency keys, 2pcs keys for built-in cabinet.
Manual Card	1	A5 100gr manual card

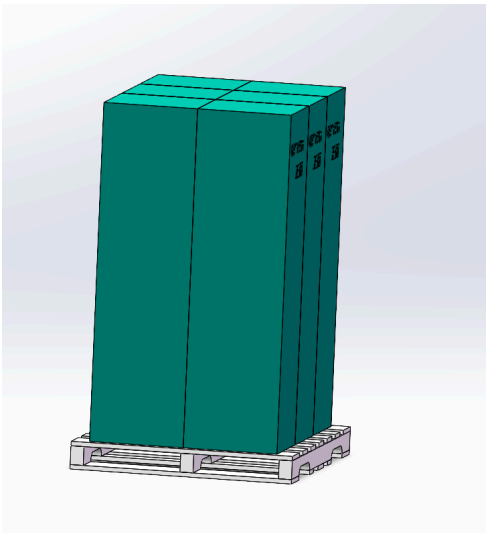
3. Packaging specifications

Black Sticker (x2) with Brown Carton Box.

Internal protective packaging, cardboard corner protector and foam board.



3.1. Palletization system



With shrink-wrapped. no need to put wooden sheet on top. there's a foam board with thickness 3mm on top inside carton, it's enough.

10978 12pcs/pallet, for code **10979** & **10980** 9pcs/pallet.

4. Regulatory framework [Only for 10980 model]

The product is a metal storage cabinet with an electronic lock and battery.

Applicable mandatory regulations (EU)

EMC Directive 2014/30/EU – Electromagnetic Compatibility

RoHS Directive 2011/65/EU + 2015/863 (restricted substances)

WEEE Directive 2012/19/EU

Versión	Fecha	Autor	Cambios
1.0	03/12/2025	Sara Castillo Arrieta	Initial version